

# PROJECTS

Theatre, ICU/High Care, Wards, General





## **01** Theatre

- 02 Pendant Driven Theatre
- 04 Clean Air Light Plenum (CALP)
- 05 Clean Air Light Plenum - Suspended Ceiling
- 06 Theatre Control Panel (TCP) - Standard Theatre
- 09 Theatre Control Panel (TCP) - Day Theatre
- 10 Pendant Fixed Theatre
- 12 Surgeon Scrub Up Unit (2.1 m)
- 14 Recovery Pedestal

## **15** ICU/High Care

- 17 Infusion Carriage
- 18 High Care Column
- 20 Intensive Care Unit Pendant
- 23 Pedestal ICU
- 24 Utility Basket Vacuum Pedestal Mount

## **25** Wards

- 26 Flat Service Panel (FSP) - General
- 29 Flat Service Panel (FSP) - Paediatric
- 30 TV Bracket
- 31 Headboard
- 32 Horizontal Service Panel
- 34 Vertical Service Panel - Aluminium
- 35 Vertical Service Panel - Dialysis
- 36 Vertical Service Panel (VSP)
- 38 Accessory Bracket Kit

## **39** General

- 43 Bedpan Washer
- 44 AMTAI Theatre Table & Accessories
- 44 LM Series Mobile Surgical Light
- 46 L Series Surgical Light
- 48 Trauma Pedestal
- 51 Slophopper
- 52 Utility Pole with Drip Hook
- 53 Utility Basket Wall Mount
- 55 Air Filter Unit



# THEATRE

From carts and mayo trolleys  
to lighting and hygiene.



## Pendant Driven Theatre

**CODE: YB-PD60**

An integrated height adjustable ceiling-mounted pendant, with articulated arms and body constructed from extruded aluminium, body is covered with a hard-wearing powder-coated finish.

### AVAILABLE SERVICES

- Low voltage: to suit specific requirements - data, telephone, network plugs etc.
- Product weight: 87 kg
- High voltage: 230 V



### FUNCTION

Offers a flexible "off the floor" solution that allows doctors and nurses to access the necessary services without the risk of exposed piping and electrical cables on the floor.



### CLEANING

To be cleaned with a disinfectant agent, NOT a chlorine-based chemical.



### DEPARTMENT

Operating Theatre



Side view with electrical outlets



Bottom view with gas sockets

## SPECIFICATIONS

### CONSTRUCTION

All articulated arms as well as body are constructed from extruded aluminium.

### SURFACE FINISH

Body is covered with a hard wearing powder coated finish.

### INSTALLATION POSITION

Vertical ceiling mounting

### SERVICE ENTRY

Services through ceiling void/core drill hole from plant room.

### HIGH VOLTAGE

230 Volts

### LOW VOLTAGE

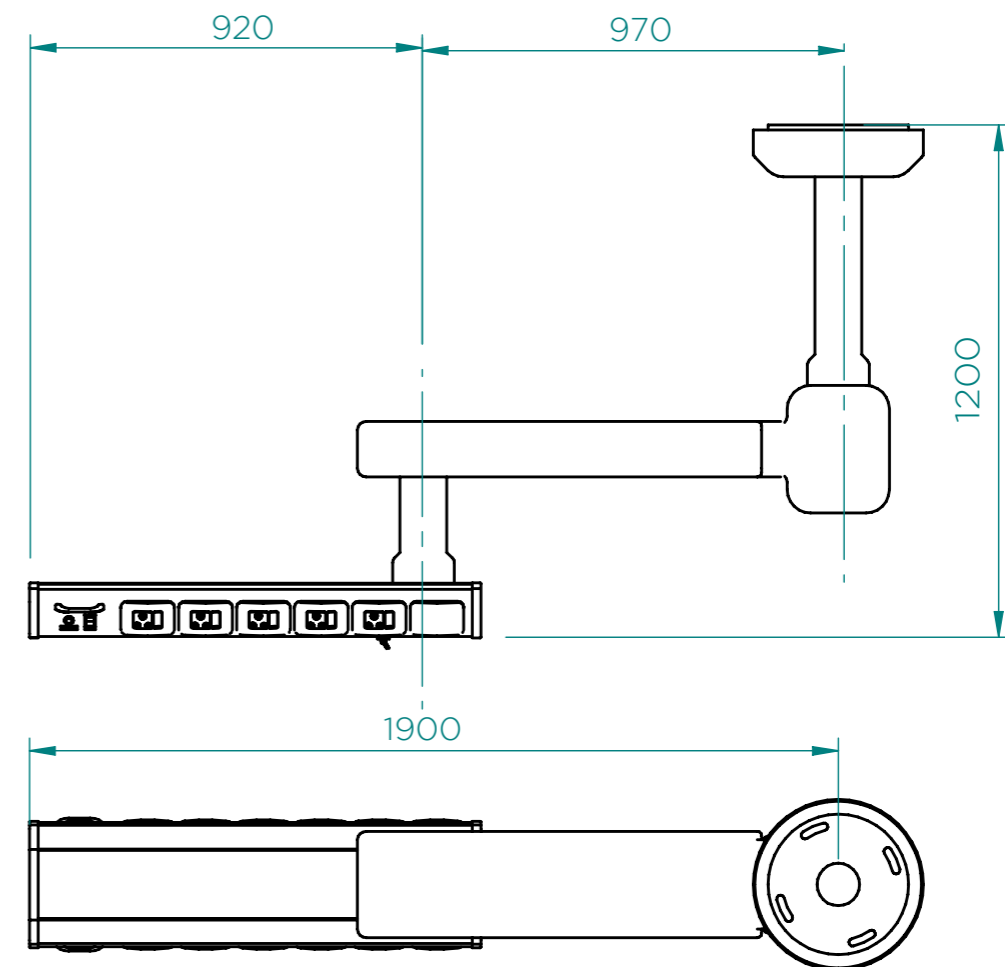
Suits specific requirements including data, telephone and network plugs.

### MEDICAL GAS

Unit can accommodate a total of 8 gas sockets as per customer specifications.

### CUSTOMISATION OPTIONS

Unit lengths and service requirements are manufactured as per customer specifications.



## Clean Air Light Plenum (CALP)

**CODE: 349-11**

A fibreglass pre-fabricated body, which can accommodate four lights.

### AVAILABLE SERVICES

- Accommodates mounting solution for main theatre.
- Accommodate for installation of air handling unit and airflow diffuser.

### ADVANTAGES

- The fibreglass body can be installed by the builder during the initial building process.
- The fibreglass body could be installed into a new or existing concrete slab.



### FUNCTION

- To facilitate clean air into an operating theatre.
- The four CALP lights allow 50/100% light usage.



### CLEANING

To be cleaned with a disinfectant agent, NOT a chlorine-based chemical.



### DEPARTMENT

Operating Theatre

## Clean Air Light Plenum-Suspended Ceiling

**CODE: 349-200**

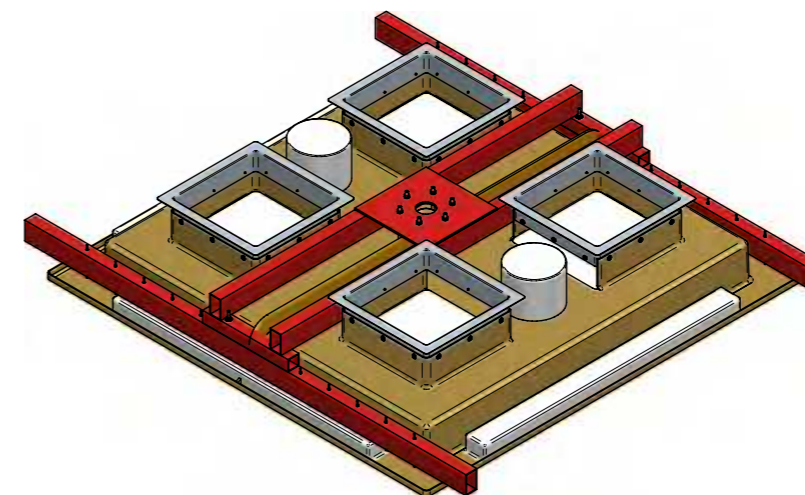
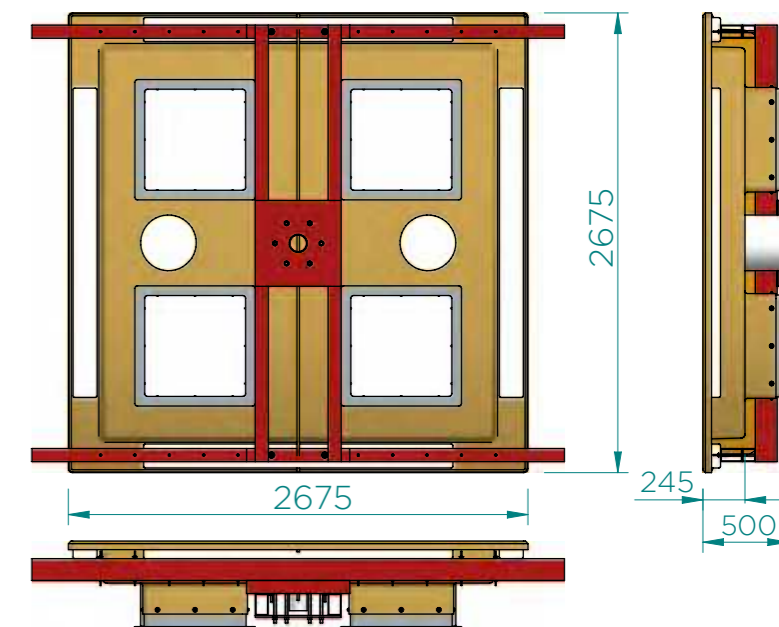
A fibreglass pre-fabricated body, which can accommodate four lights. The unit is mounted by means of steel structure.

### AVAILABLE SERVICES

- Accommodates mounting solution for main theatre light.
- Accommodate for installation of air handling unit and airflow diffuser.

### ADVANTAGES

- The fibreglass body can be installed by the builder during the initial building process.
- The fibreglass body could be installed into a new or existing concrete slab.



### FUNCTION

- To facilitate clean air into an operating theatre.
- The four CALP lights allow 50/100% light usage.



### CLEANING

To be cleaned with a disinfectant agent, NOT a chlorine-based.



### DEPARTMENT

Operating Theatre

## Theatre Control Panel (TCP) – Standard Theatre

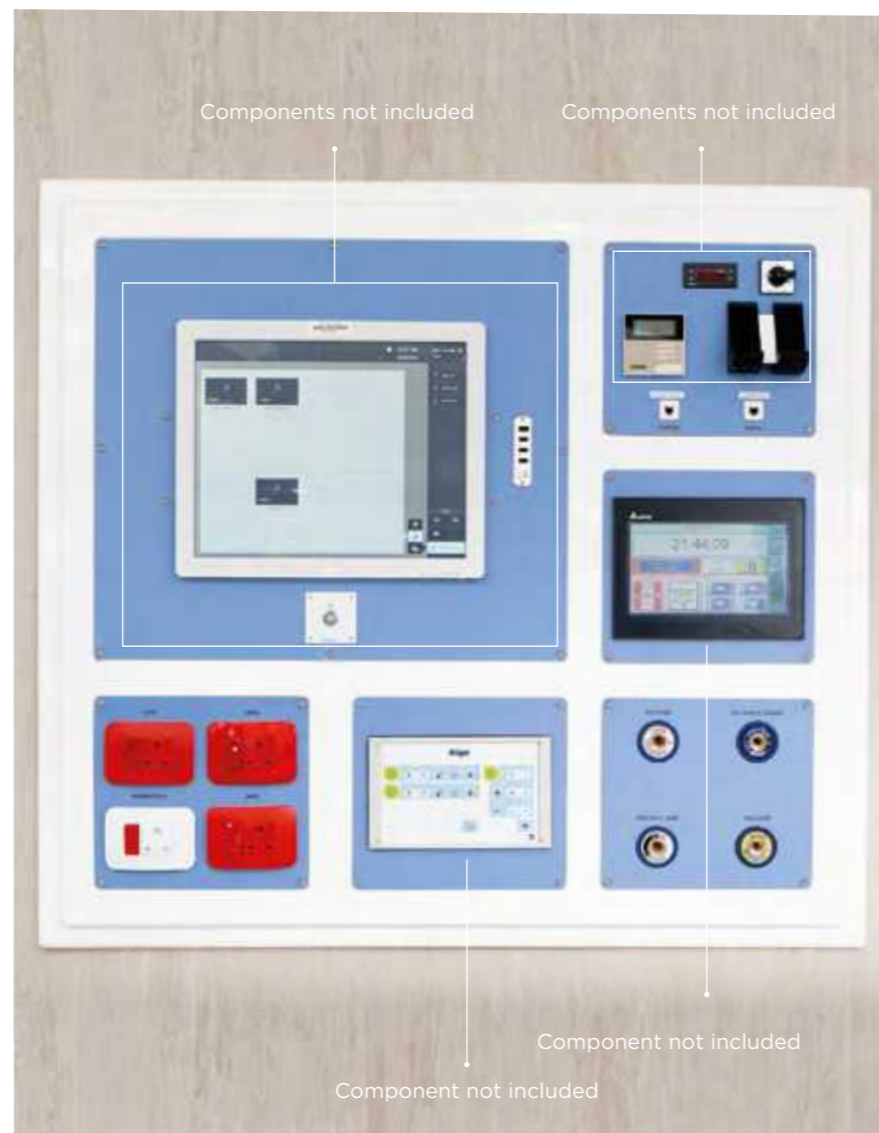
**CODE: 50-92**

A wall-mounted integrated control panel; the outer body of the TCP is mounted flush with the wall and consists of a quality fibreglass shell with a smooth white fibreglass finish; integrated with a steel frame at the back for stability and mounting of the unit inside a steel backplate. It consists of six removable aluminium panels. The unit comes pre-assembled and standard with four electric sockets and four gas sockets.

### AVAILABLE SERVICES

Services are inside the wall, through the backplate into the TCP. The unit can accommodate a total of four 2 x 4 sockets.

- High voltage: 230 V, electric sockets are supplied but not pre-wired.
- Low voltage: to suit specific requirements – data, telephone, network plugs, etc.
- The unit can accommodate four gas sockets.
- Gas sockets can also be arranged as per customer specifications.
- Provision made for additional services as per customer requirements.



### FUNCTION

- Press formed in one flush-mounted fibreglass panel.
- Easy access for maintenance from inside the operating theatre by means of removing panels.
- All gas outlets are fitted with built-in non-return valves, which allows for uninterrupted maintenance.



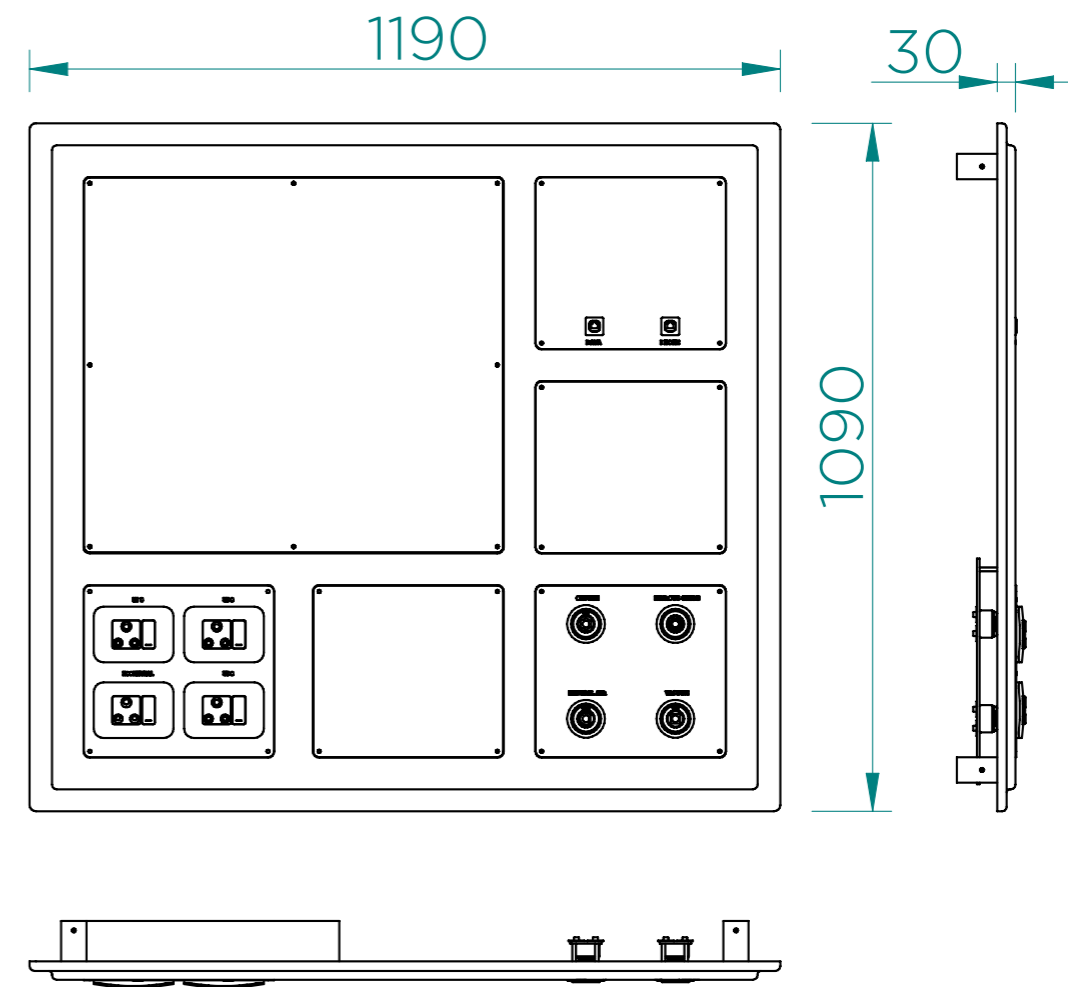
### CLEANING

To be cleaned with a disinfectant agent, NOT a chlorine-based chemical.



### DEPARTMENT

Operating Theatre



## SPECIFICATIONS

### CONSTRUCTION

Fibreglass body with aluminium section plates.

### SURFACE FINISH

Fibreglass body with aluminium section plates.

### INSTALLATION POSITION

Wall mounted

### SERVICE ENTRY

Services through wall and backplate.

### HIGH VOLTAGE

230 Volts

### LOW VOLTAGE

Suits specific requirements including data, telephone and network plugs.

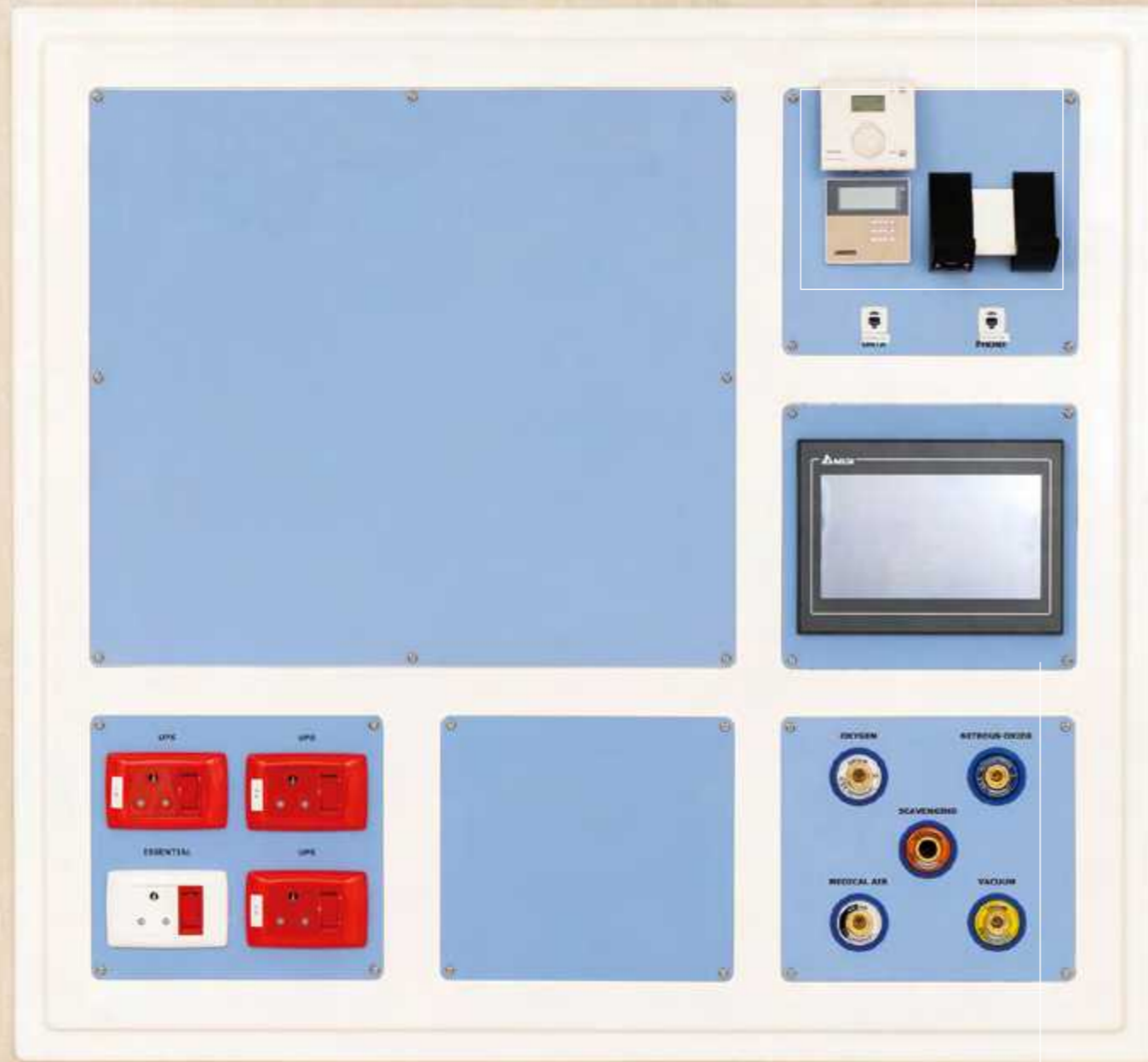
### MEDICAL GAS

Unit can accommodate gas sockets as per customer specifications.

### CUSTOMISATION OPTIONS

Layout can be changed to accommodate customer specifications.

Components not included.



Components not included.

## Theatre Control Panel (TCP) - Day Theatre

CODE: 50-93

A wall-mounted integrated control panel; the outer body of the TCP consists of a quality fibreglass shell with a smooth white finish; integrated with a steel frame at the back for stability and mounting of the unit inside a steel backplate. It consists of six removable aluminium panels. The unit comes pre-assembled and standard with four electric sockets and five gas sockets.

### AVAILABLE SERVICES

Services are inside the wall, through the backplate into the TCP. The unit can accommodate a total of four 2 x 4 sockets.

- Low voltage: to suit specific requirements - data, telephone, network plugs, etc.
- High voltage: 230 V, electric sockets are supplied but not pre-wired.

- The unit can accommodate five gas sockets.
- Gas sockets can also be arranged as per customer specifications.
- Provision made for additional services as per customer requirements.



### FUNCTION

- Press formed in one flush-mounted fibreglass panel.
- Easy access for maintenance from inside the operating theatre by means of removing panels.
- All gas outlets are fitted with built-in non-return valves, which allows for uninterrupted maintenance.



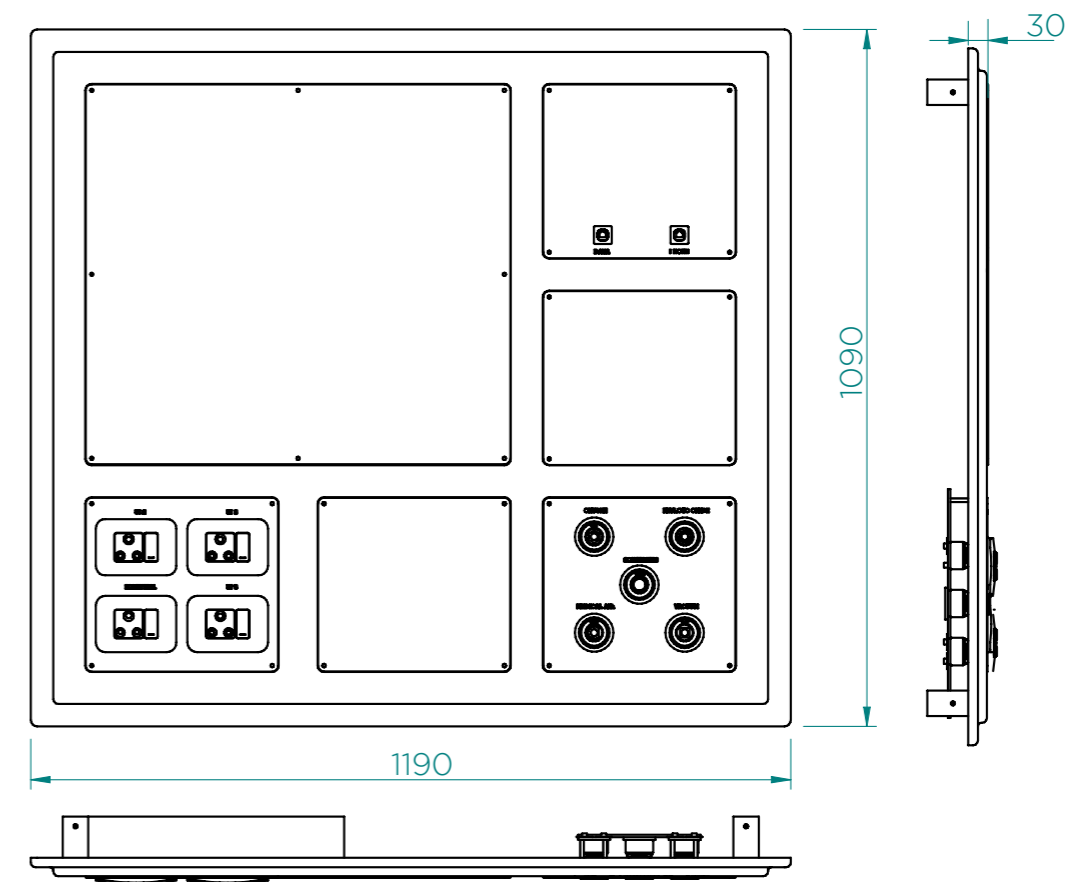
### CLEANING

To be cleaned with a disinfectant agent, NOT a chlorine-based chemical.



### DEPARTMENT

Operating Theatre





## Pendant Fixed Theatre

**CODE: YB-PF60**

An integrated ceiling-mounted pendant, with articulated arms and body constructed from extruded aluminium, the body is covered with a hard-wearing powder-coated finish.

### AVAILABLE SERVICES

Electrical supply: services through ceiling void.

- High voltage: 230 V
- Medical gas: the unit can accommodate a total of eight gas sockets.
- Low voltage: to suit specific requirements – data, telephone, network plugs etc.
- Product weight: 87 kg
- Rotation: 320°



### FUNCTION

Offer a flexible “off the floor” solution that allows doctors and nurses to access the necessary services without the risk of exposed piping and electrical cables on the floor.



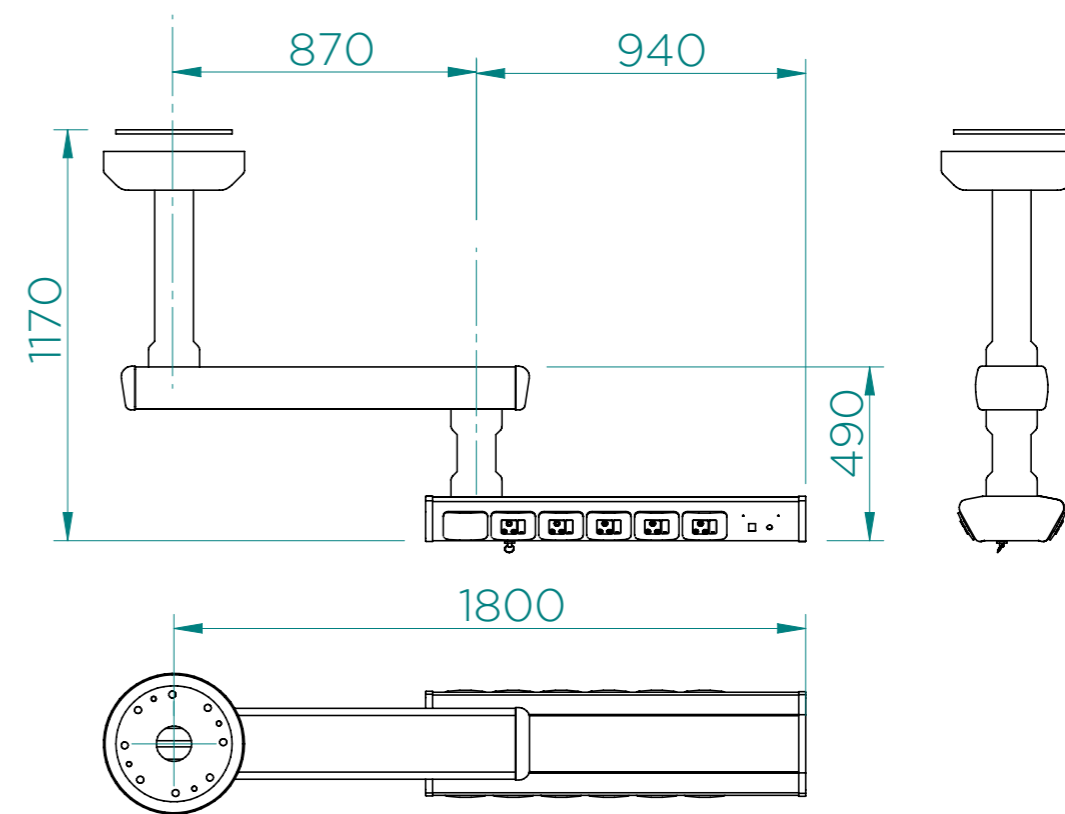
### CLEANING

To be cleaned with a disinfectant agent, NOT a chlorine-based chemical.



### DEPARTMENT

Operating Theatre



Bottom view with gas sockets



Side view with electrical outlets

## SPECIFICATIONS

### CONSTRUCTION

Aluminium

### SURFACE FINISH

Hard-wearing powder-coated finish

### INSTALLATION POSITION

Ceiling mounted

### SERVICE ENTRY

Through ceiling void.

### HIGH VOLTAGE

230 Volts

### LOW VOLTAGE

Suits specific requirements including data, telephone and network plugs.

### MEDICAL GAS

Unit can accommodate gas sockets as required.

### CUSTOMISATION OPTIONS

Unit lengths and service requirements are manufactured as per customer specifications.



## Surgeon Scrub Up Unit (2.1 m)

**CODE: 345-24**

A wall-mounted stainless steel (grade 304) scrub up including drain point, with various spout options. Optical sensors to activate solenoid valves (hands-free) available on request.



**FUNCTION**  
To wash the hands and forearms very thoroughly, prior to surgery.



**CLEANING**  
To be cleaned with a disinfectant, NOT a chlorine-based chemical.



**DEPARTMENT**  
Operating Theatre



### FOLLOWING SIZES AVAILABLE:

1.2 m , 1.5 m, 1.8 m & 2.1 m





## Recovery Pedestal

CODE: 63-01

A bed docking station with two individual fibreglass shells.

### AVAILABLE SERVICES

- 6 off 4 x 4 UPS double pole switch sockets.
- 2 off 4 x 4 standby switch sockets.
- 2 off 2 x 4 blank covers (could be used for cardiac arrest/emergency call).
- 3 off oxygen outlets.
- 2 off medical air outlets (LP).
- 3 off vacuum outlets.
- 1 off utility basket (optional).
- Patient monitor bracket.



### FUNCTION

- Allows nursing staff and specialists to administer patients from the patient bed head, without any obstructions. Also for the housing of the patient haemodynamic monitoring modules.
- Nursing management have unobstructed access to patient.
- No cluttering of wires and pipes.
- Easy to clean.
- Easy access for technical staff.
- All gas outlets are fitted with built-in non-return valves, which allows for uninterrupted maintenance.
- Services are brought to the pedestals via sub surface trunking or by core drilling.



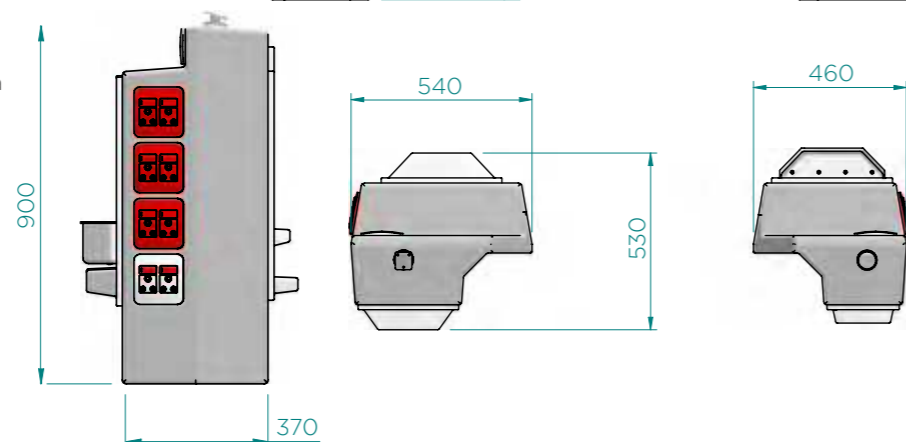
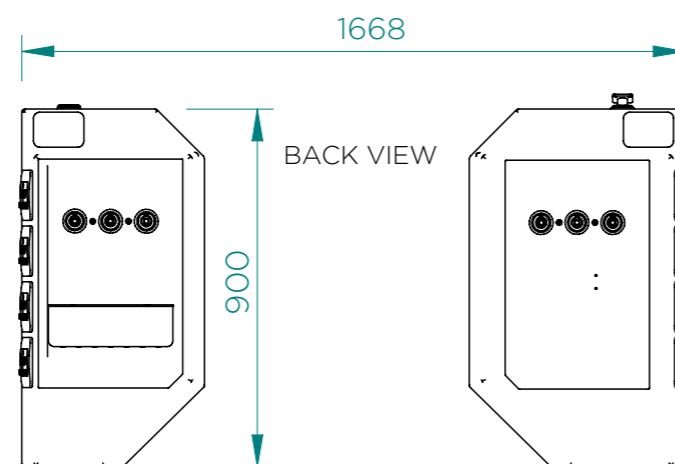
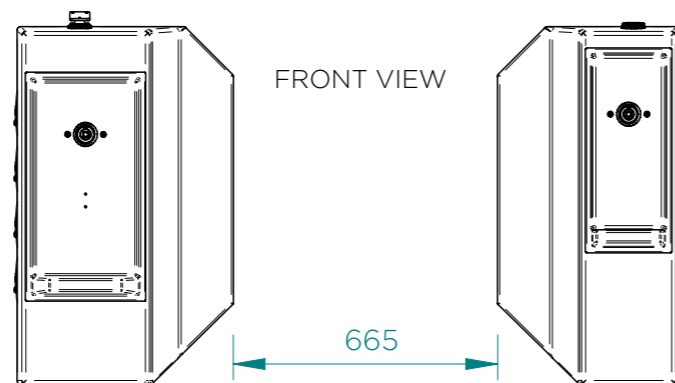
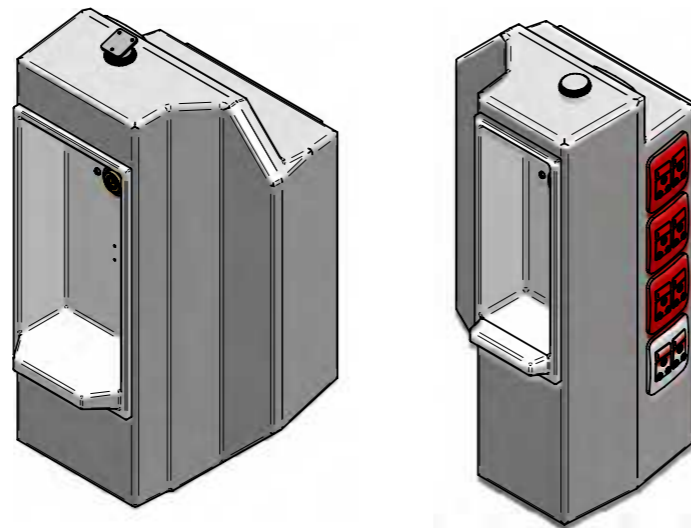
### CLEANING

To be cleaned with a disinfectant agent, NOT a chlorine-based chemical.



### DEPARTMENT

Operating Theatre – Recovery Area



# ICU/ HIGH CARE

Equipment and storage for critical care, ER, and other high-care departments.

Driven by  
performance



## Infusion Carriage

CODE: 288-40

A ceiling-suspended horizontal sliding carriage.



### FUNCTION

To accommodate multiple infusion devices (maximum of 12 drip hooks) to a maximum carrying weight of 80 kg in total.

- Can be positioned on either side of patient's head area.
- No cluttering of mobile drip stands.
- No cluttering of wires and tubes, as these are all suspended.



### CLEANING

Clean with a disinfectant agent, NOT a chlorine-based chemical.



### DEPARTMENT

ICU



The brake mechanism for the sliding action locks once released.



Can be positioned out of the way in the event of an emergency or non-requirement.

## High Care Column

CODE: YB-69

The floor-to-ceiling mounted unit consists of an outer body manufactured from aluminium, with a powder-coated finish. Each unit comes pre-assembled and pre-piped with all necessary gas services as well as electrical services.

### AVAILABLE SERVICES

Services are supplied from the top through the ceiling. The unit can accommodate ten 2 x 4 sockets and two 4 x 4 sockets.

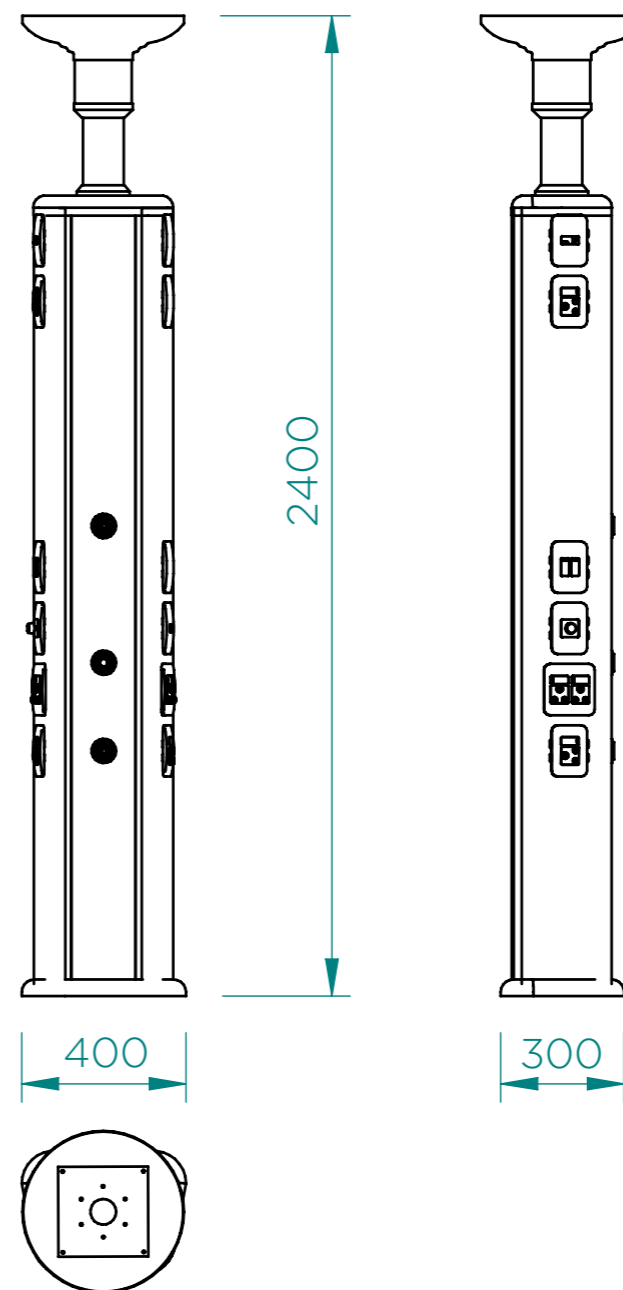
- High voltage: 230 V, plugs attached but not pre-wired.
- Low voltage: to suit as per customer specifications.
- Medical gas: the unit can accommodate three gas sockets at the front of the panel.

**FUNCTION**  
Offers a neat and controlled environment making it possible for medical staff to have quick and easy access to necessary services.

**DIMENSIONS**  
H 2400 mm x 341 mm

**CLEANING**  
To be cleaned with a disinfectant agent. NOT a chlorine-based chemical.

**DEPARTMENT**  
High Care



## SPECIFICATIONS

### CONSTRUCTION

Aluminium

### SURFACE FINISH

Hard-wearing powder-coated finish

### INSTALLATION POSITION

Floor mounted

### SERVICE ENTRY

Services through ceiling void.

### HIGH VOLTAGE

230 Volts

### LOW VOLTAGE

Suits specific requirements including data, telephone and network plugs etc.

### MEDICAL GAS

Unit can accommodate gas sockets as per customer specifications.

### CUSTOMISATION OPTIONS

Unit lengths and service requirements are manufactured as per customer specifications.

## Intensive Care Unit Pendant (Ceiling Mounted)

**CODE: 95-PF24-CR-00**

The ICU pendant system comprises of a dual pendant solution, with unobstructed access to the patient area.



### FUNCTION

Offers a flexible "off the floor" solution that allows surgeons, anaesthetists and qualified intensive/High Care nursing staff, access to the necessary services without the risk of exposed piping and electrical cables within the patient area.



### CLEANING

To be cleaned with a disinfectant agent, NOT a chlorine-based chemical.



### DEPARTMENT

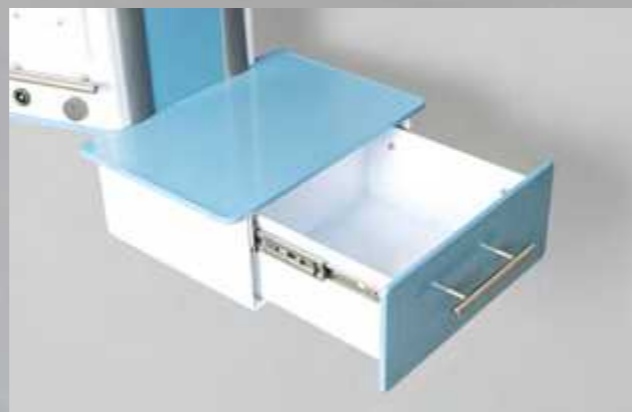
Intensive Care Unit

### ROTATION

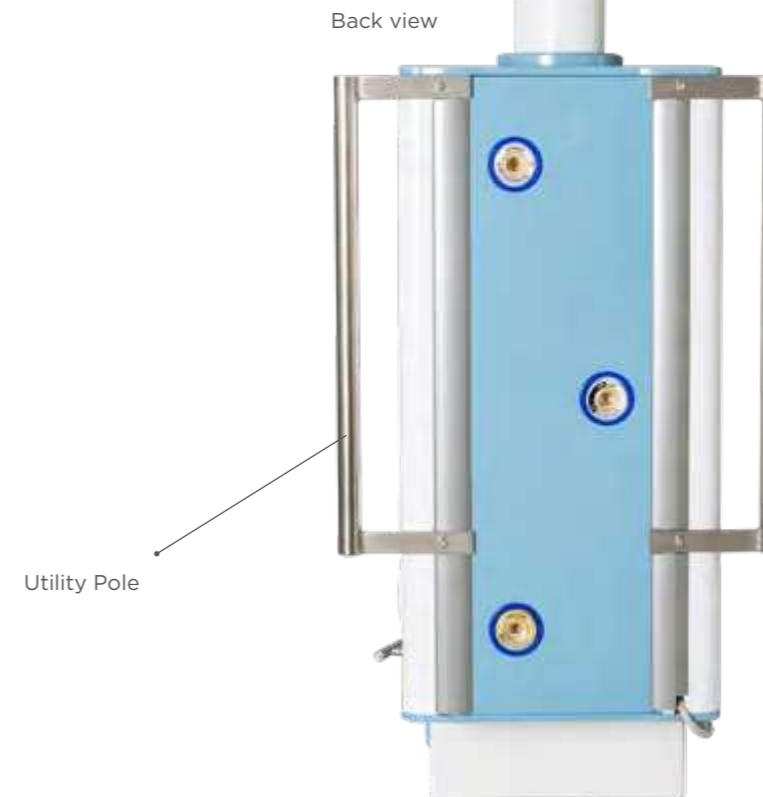
Can be rotated within 320° to position system appropriately.

### SUITABLE MOUNTING SOLUTIONS (AVAILABLE ON REQUEST):

Wire baskets and utility poles



Side view of open drawer



Back view

Utility Pole

Side view



High quality side rail

Brake Release  
to position the  
Pendant System

## SPECIFICATIONS

### CONSTRUCTION

An integrated ceiling-mounted pendant, with articulated arms and body constructed from extruded aluminium body, covered with a hard-wearing powder-coated finish.

### SURFACE FINISH

Hard-wearing powder-coated finish

### INSTALLATION POSITION

Vertical ceiling mounting

### SERVICE ENTRY

Services through ceiling void/core drill hole from plantroom.

### ELECTRICAL SUPPLY

Unit can accommodate maximum of twenty sockets for various requirements including data, telephone, network plugs, etc. (as per clients' specifications).

### HIGH VOLTAGE

230 Volts, plugs attached, but not prewired.

### LOW VOLTAGE

To suit specific requirements including data, telephone, network plugs, etc.

### MEDICAL GAS

Each pendant can accommodate a total of 5 gas sockets as per clients' specifications.

### ILLUMINATION

N/A

### PRODUCT PAYLOAD

20kg

### PRODUCT WEIGHT

87kg per head



## Pedestal ICU

**CODE: 62-14**

Two individual floor-mounted pedestals, located inside the ICU area, one on either side of the bed. The outer bodies of the pedestals are made from fibreglass, with a white smooth finish, and a steel frame inside for stability and secure mounting of the units. All the electrical and gas services are incorporated inside the unit offering a safe and uncluttered work environment to the nurse as well as the patient.

### AVAILABLE SERVICES

The units each come pre-assembled and pre-piped with all necessary gas and electrical services. Services are supplied from underneath with the use of a floor trunking or core drilled hole with adaptor mounting plate. The unit can accommodate maximum of eight 4 x 4 sockets for various requirements including data, telephone, network plugs, etc.

- High voltage: 230 V, 4 x 4 plugs attached but not pre-wired.
- Low voltage: to suit specific requirements - data, telephone, network plugs, etc.
- The unit can accommodate a total of eight gas sockets.
- Gas sockets can also be arranged as per customer specification.
- Dialysis feature available on request.



### FUNCTION

It offers a neat and guided service solution allowing easy and comfortable access around the patient.



### CLEANING

To be cleaned with a disinfectant, NOT a chlorine-based chemical.



### DEPARTMENT

ICU





# WARDS

Quality equipment for providing world-class medical services.

## Utility Basket Vacuum Pedestal Mount

**CODE: IHB-40**

A vacuum formed ABS plastic basket with drain holes.

**AVAILABLE SERVICES**

Easily removable wedge design for cleaning purposes.



**CLEANING**

To be cleaned with a disinfectant agent, NOT a chlorine-based chemical.



**DEPARTMENT**

ICU



Set apart  
by our  
innovative  
solutions

## Flat Service Panel (FSP) - General

**CODE: 182-25**

A rectangular service panel is installed in wards. It is made of a rectangular aluminium plate with a powder-coated finish.

### AVAILABLE SERVICES

Following services are available:

- 1 off 2 x 4 standby switch socket
- 1 off 2-lever switch 2 x 4 with Euro socket
- 1 off LED night light
- 1 off oxygen connector
- 1 off vacuum connector

**FUNCTION**  
To bring services to the head of the bed.

**DIMENSIONS**  
H 930mm x W 214mm x D 56mm

**CLEANING**  
Clean with a disinfectant agent, NOT a chlorine based chemical.

**DEPARTMENT**  
Wards

Can be enclosed with a cupboard of choice.

Cost effective installation.

Easily access for maintenance and nursing staff.



## SPECIFICATIONS

### CONSTRUCTION

Aluminium

### SURFACE FINISH

Hard-wearing powder-coated finish

### INSTALLATION POSITION

Wall mounted

### SERVICE ENTRY

Through ceiling void.

### HIGH VOLTAGE

230 Volts

### LOW VOLTAGE

Suits specific requirements including data, telephone and network plugs.

### MEDICAL GAS

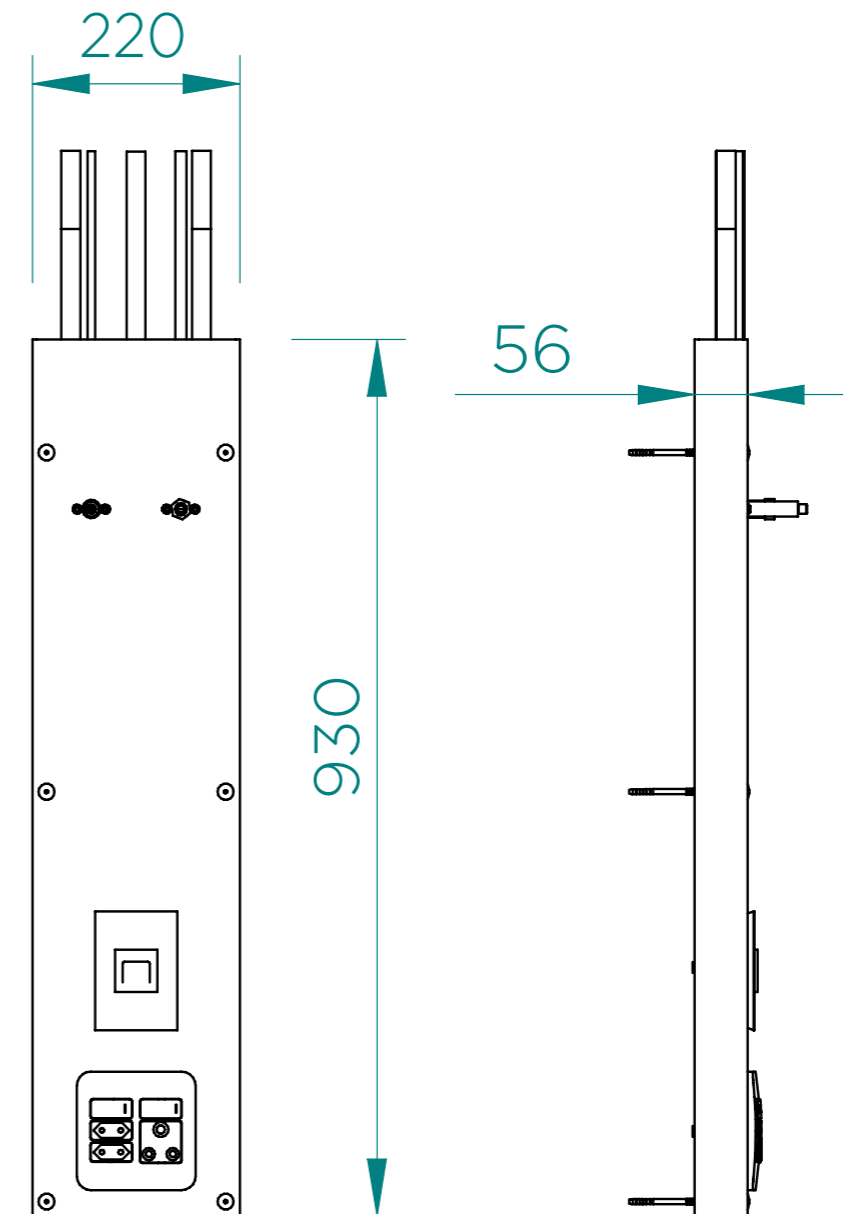
Unit can accommodate gas sockets as per customer specifications.

### ILLUMINATION

Small LED night light

### CUSTOMISATION OPTIONS

Unit lengths and service requirements are manufactured as per customer specifications.





## Flat Service Panel (FSP) – Paediatric

**CODE: 182-26**

A rectangular service panel is installed in wards. It is made from a rectangular aluminium plate with a powder-coated finish.

### AVAILABLE SERVICES

- 1 off 2 x 4 standby switch socket
- 1 off 2-lever switch 4 x 4 with Euro socket
- 1 off LED night light
- 1 off oxygen gas socket
- 1 off LP gas socket
- 1 off vacuum connector



### FUNCTION

To bring services to the head of the bed.



### CLEANING

Clean with a disinfectant agent, NOT a chlorine-based chemical.



### DEPARTMENT

Wards



## SPECIFICATIONS

### CONSTRUCTION

Aluminium

### SURFACE FINISH

Hard-wearing powder-coated finish

### INSTALLATION POSITION

Wall mounted

### SERVICE ENTRY

Through ceiling void.

### HIGH VOLTAGE

230 Volts

### LOW VOLTAGE

Can suit specific requirements including data, telephone and network plugs.

### MEDICAL GAS

Unit can accommodate gas sockets as per customer specifications.

### ILLUMINATION

Small LED night light

### CUSTOMISATION OPTIONS

Unit lengths and service requirements are manufactured as per customer specifications.





Disclaimer: Excludes flat screen



Protects wall finish from damage.

## TV Bracket

- CODE: 331-FG-24N350 (24" FLAT SCREEN HD LED TV)
- CODE: 331-FG-32AE350 (32" FLAT SCREEN HD LED TV)

A fibreglass bracket installed at the foot end, above patient bed.

### ADVANTAGES

- Easy to install.
- Easy to clean.



### FUNCTION

- To accommodate a 24"/32" flat screen HD LED TV (JVC or TELEFUNKEN).
- Ceiling Mounted for easy maintenance.
- Cable management is above ceiling.
- Tamper proof.
- Operational through nurse call system.



### DIMENSIONS

H 600 mm x W 600 mm (24" flat screen HD LED TV)  
H 600 mm x W 800 mm (32" flat screen HD LED TV)



### CLEANING

Clean with a disinfectant agent,  
NOT a chlorine-based chemical.



### DEPARTMENT

Wards

## Headboard

CODE: 54-00

A wall-mounted fibreglass shell with a smooth white finish.

### AVAILABLE SERVICES

- 2 off 2 x 4 blank covers
- 4 off mounting hole covers



### FUNCTION

Easy positioning of patient bed.



### DIMENSIONS

H 600mm x W 1197mm x D 132mm



### CLEANING

Clean with a disinfectant agent,  
NOT a chlorine based chemical.



### DEPARTMENT

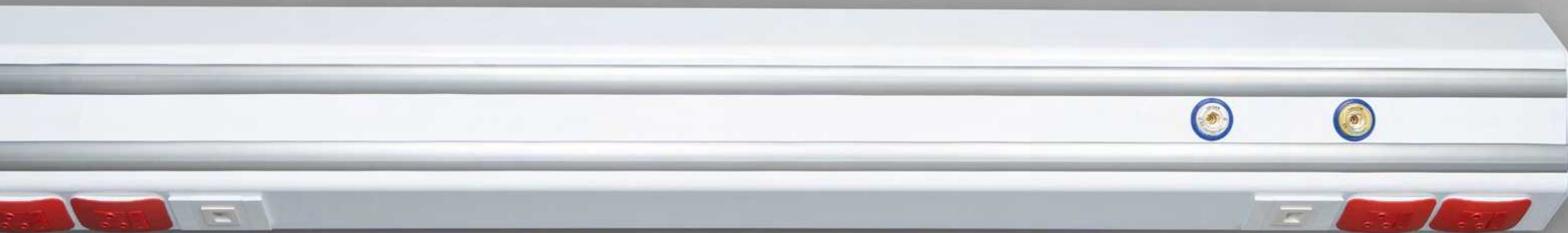
Wards



Locality for nurse call and data point facilities.  
Electrical components not included.



2 off 2 x 4 PVC boxes (for data and switch sockets,  
nurse call, light switch etc.) Electrical components  
not included.



## Horizontal Service Panel

**CODE: : 90-HSP**

A wall-mounted body, manufactured from aluminium, with a white smooth powder-coated surface finish.

### AVAILABLE SERVICES

Unit can accommodate various layouts (data, telephone, network plugs etc.) as per customer requirement.

- High voltage: 230 V

### ADVANTAGES

- Easy to install.
- Easy to clean.
- Combination of standard services can be customised to customer specification.



### FUNCTION

- Solid and stable structure.
- Services are supplied above through ceiling or inside the wall.



### DIMENSIONS

H 315 mm x D 131 mm x L Variable



### CLEANING

Clean with a disinfectant agent, NOT a chlorine-based chemical.



### DEPARTMENT

Wards



Medical gas: to suit customer requirements



Low voltage: to suit customer requirements

## Vertical Service Panel - Aluminium

CODE: 90-VSP

A wall-mounted body, manufactured from aluminium, with a white smooth powder-coated surface finish.

### AVAILABLE SERVICES

The unit can accommodate various layouts (data, telephone, network plugs etc.) as per customer requirement.

- High voltage: 230 V
- Low voltage: to suit customer requirements.
- Medical gas: to suit customer requirements.

### ADVANTAGES

- Easy to install.
- Easy to clean.
- Combination of standard services can be customised to customer specification.



### FUNCTION

- Solid and stable structure.
- Services are supplied above through ceiling or inside the wall.



### CLEANING

Clean with a disinfectant agent, NOT a chlorine-based chemical.



### DEPARTMENT

Wards



## Vertical Service Panel - Dialysis

CODE: 88-20

A wall-mounted fibreglass shell.

### ADVANTAGES

- Easily accessible for maintenance and nursing staff.
- Services recessed to prevent bumping and damage.
- Compact unit.
- Aesthetically pleasing.



### FUNCTION

To provide a neat dialysis connection point.



### DIMENSIONS

H 600 mm x W 500 mm



### CLEANING

Clean with a disinfectant agent, NOT a chlorine-based chemical.



### DEPARTMENT

Wards



Waste connection for dialysis machine.

Water supply for dialysis machine.

## Vertical Service Panel (VSP)

CODE: 88-04

A wall-mounted fibreglass shell.

### ADVANTAGES

- Can serve two patients depending on the configuration required.
- Easily accessible for maintenance and nursing staff.
- Combination of standard services can change according to customer specification.
- All gas outlets are pre-piped.
- All gas outlets are fitted with built-in non-return valves, which allows for uninterrupted maintenance.
- Medical devices can be mounted to the T-track and Gabler rail (optional).



### FUNCTION

To provide medical and nursing service at the end of the bed.



### RANGE OF VSPs

		Gas services						
		O2	LP	VAC	ENTONOX	NITROUS	SCAVENGING	AREA OF USE
88-01-00	VSP A	1 off		1 off				Conroom/ER/Nursery/ Treat/Exam
88-02-00	VSP B	1 off		1 off	1 off			Mother
88-03-00	VSP C	1 off	1 off	1 off				Baby
88-04-00	VSP D	2 off	2 off	2 off				NN/Recoc/Paeds/ICU/ Gynae/Proc
88-05-00	VSP E	2 off		2 off	1 off			Paeds/Resus/Cathlab/ Endoscopy
88-06-00	VSP F	2 off	3 off	2 off				NN



## Accessory Bracket Kit

CODE: 88-25-00A

Aluminium T-track extrusion, accommodating a 100 mm Gabler rail, mounted to VSP.



### FUNCTION

An equipment rail to facilitate the mounting of various equipment.



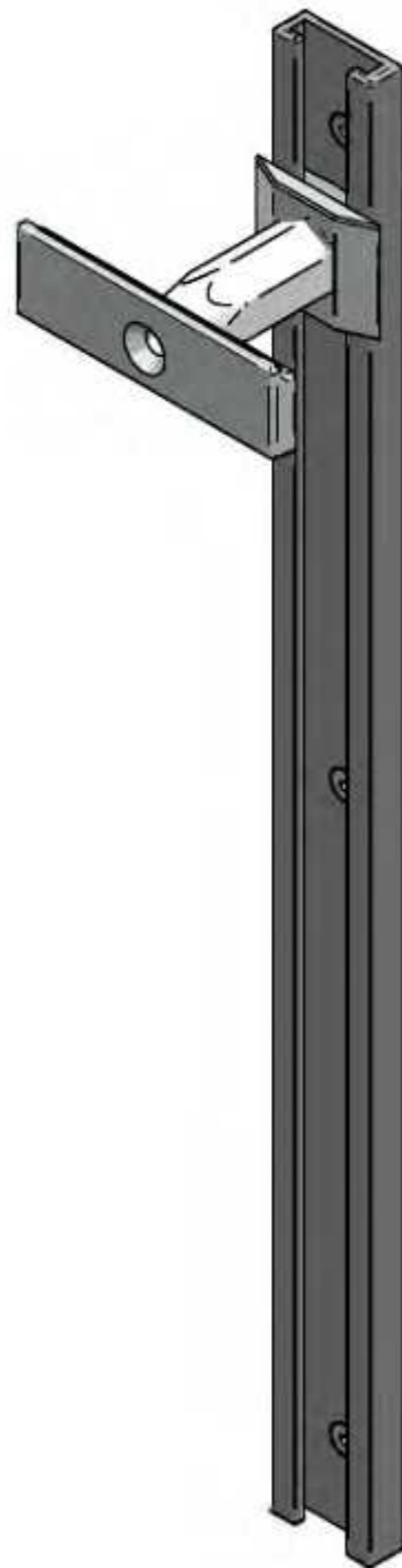
### CLEANING

Clean with a disinfectant agent, NOT a chlorine-based chemical.



### DEPARTMENT

Wards



# GENERAL

Essential medical equipment for the optimal running of your establishment.

Premium  
quality  
medical  
solutions



## BEDPAN WASHER

CODE: CDD-00-1060

Our innovative Geysir bedpan washer operates on a high technical level and perfect functionality. Their purchase assures you a great ROI due to their long life cycle and low energy and water consumption. And of course, they meet the highest hygiene standards. In addition to all the necessary standard certifications, our devices have certifications against Covid-19 and Clostridium difficile.

The Geysir CDD 1060 is the most compact unit in the Geysir series, with the working height of 900 mm, ideal for small spaces. Although slim, this model comprises of a large washing chamber making it the perfect choice when needing to carry out the preparation of utensils. It is most effective and efficient in cleaning, and observes the latest hygiene regulations – the most prized feature of this unit.

- A fully programmable, electrically powered device manufactured from grade 316 stainless steel with a built in boiler which will attain a temperature of 93°C.
- Able to accommodate stainless steel or polypropylene bedpans, urinals, commode buckets, bowls and kidney dishes. A separate wire shelf would be required for the last three items.

Used as a stand-alone or under counter unit.

Door remains automatically locked until programme is completed.

Can be used as a sluice sink.

Easy access for maintenance purposes.



**DIMENSIONS**  
H 900 mm x W 600 mm x D 560 mm

### ADVANTAGES

- Thermostatically controlled with a cycle time of 8 minutes.
- Can accept warm or cold water in the reservoir tank (will speed up process using 'geyser' temperature water when starting up).
- Audible indication of programme completion.
- High-pressure steam injection ensures thorough washing/disinfection process.
- Practical working height for operator.
- Internal chamber design prevents possible bacteria build-up.
- Our most compact, space-saving device with nonetheless a surprisingly large washing chamber.

### GENERAL INFORMATION

- The electrical supply 220V to run this unit is 3-phase neutral and earth.
- Plumbing would be main water into the system and or piping from ceiling-mounted geyser.
- Waste pipe needs to be 110 mm diameter.
- Ensure that all items have been rinsed off in the sluice prior to being put into the washer to prevent blocked drains.
- Combination of items to be placed in the basket could be 2 x bedpans or 2 x urinals or 1 x bedpan and 1 x urinal.

CODE: CDD-00-1050



**DIMENSIONS**  
H 1775 mm x W 500 mm x D 450 mm

- FUNCTION**  
Washing and disinfecting of bedpans and urinals.
- CLEANING**  
Clean with a disinfectant agent, NOT a chlorine-based chemical.
- DEPARTMENT**  
General

CODE: CDD-00-1090



**DIMENSIONS**  
H 900 mm x W 900 mm x D 560 mm



Pressure relief mattresses

363 kg patient weight rating

Detachable split-leg section

31 cm longitudinal slide

Emergency stop button

Sturdy low profile base



**EVOLUTION**  
Surgical procedures have evolved...

## AMTAI Theatre Table & Accessories (T800 Series)

**CODE: AMT-T800LS.2V03**

Versatile, easy to use and innovative electro-hydraulic surgical theatre table that comes with a wide variety of accessories.

### AVAILABLE SERVICES

- Hydraulic-powered floor locks
- Perineal cut out
- Kidney elevator
- Interchangeable head and leg sections
- Tabletop levelling

- Hand controller
- Override system
- Built-in X-ray cassette channels
- C-arm image coverage
- Range of table movements
- Wide variety of accessories

### ADVANTAGES

- Aesthetics
- Technology
- Ergonomics
- Material
- Versatility
- Comfort
- Intelligence
- Reliability
- Cost effective

### ALL INCLUSIVE SOLUTION FOR DIFFERENT SURGICAL DISCIPLINES



Seated position



Lithotomy



Gynaecology/Laparoscopy



Shoulder surgery



Split-leg position



Ophthalmic/Plastic

For surgical procedures requiring more space between the light head and surgical field, the Automatic Intensity Compensation function provides enhanced light intensity.

Wall-mounted controllers and optional control available, allowing circulating personnel to control the lights and camera, to avoid entering the sterile field, reducing the risk of patient infection.

Can easily be cleaned and disinfected due to smooth and sleek surface design.

Compatible with laminar flows.

Automatic energy saving mode contributes to saving energy and prevents the surgeon from sweating.

Can be moved easily between operating rooms just by unlocking the four large swivel castors.



**FUNCTION**

Used to allow surgeons to comfortably focus on delivering the best outcome for patients. It provides high CRI illumination for minor surgery or treatment, and is capable of diluting the shadow cast by head and shoulders, especially in deep cavities within the surgical field.

Non-flickering LED.

Effortless operation using only the sterile handle.

## LM Series Mobile Surgical Light

CODE: PC-LM-E01

The LM Series Mobile Surgical Light, allows for effortless operation and optimum lighting. Surgeons can comfortably focus on delivering the best outcome for the patient without needing to make tedious adjustments.

The device is mobile in nature and can be used in an operating room or emergency room with air conditioning that is capable of setting the room temperature below 25°C (77°F).

**ADVANTAGES**

- Optimum lighting and glare-free secondary optic design, reduces visual disturbances and eye fatigue
- Natural colour rendering to work out the best outcome for the patient
- Shadow dilution helps in reducing eye fatigue of the surgeon
- Deep captivity illumination reduces the need to move surgical lights and adjust lighting parameters during deep cavity surgery
- With the continuous illumination column, surgeons can focus on performing the surgery without readjusting the light



**DIMENSIONS**

H 160 mm x L 640 mm



**CLEANING**

Clean with a disinfectant agent, NOT a chlorine-based chemical.



**DEPARTMENT**

Operating Room/Emergency Room



Focused ambient illumination provides plenty of light to the anaesthetist to observe the patient, ideal for endoscopy surgery.



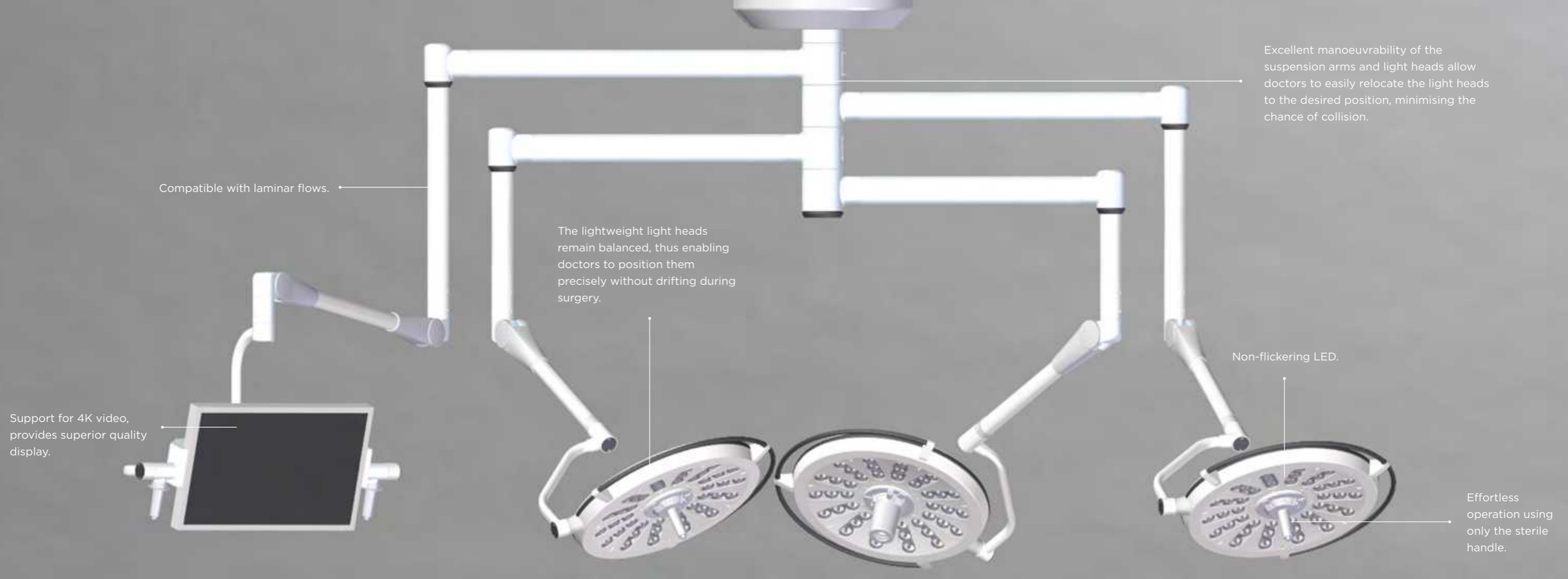
Built-in battery power is a standard feature.

**MOBILE NUMBERS**

The available model numbers are listed in the table below:

MODEL NO.	DESCRIPTION
LM-B-1	Mobile Surgical Light R625, 110 Vac
LM-B-2	Mobile Surgical Light R625, 220 Vac
LM-B-1(1)	Mobile Surgical Light R625, 110 Vac, with AIC+AES
LM-B-2(1)	Mobile Surgical Light R625, 220 Vac, with AIC+AES
LM-D-1	Mobile Surgical Light R725, 110 Vac
LM-D-2	Mobile Surgical Light R725, 220 Vac
LM-D-1(1)	Mobile Surgical Light R725, 110 Vac, with AIC+AES
LM-D-2(1)	Mobile Surgical Light R725, 220 Vac, with AIC+AES





## L Series Surgical Light

CODE: : PC-L-E00

The L Series Surgical Light, allows for effortless operation and optimum lighting. Surgeons can comfortably focus on delivering the best outcome for the patient without needing to make tedious adjustments.

### FLEXIBLE CONFIGURATION:

The following features of the suspension system for L Series provide the optimal configuration flexibility to meet the need of most modern surgeries:

- Select from 1 to 4 extension arms with spring arms
- Select up to 3 light heads
- Select up to 2 LCDs
- Both the extension and spring arms can rotate 360° regardless of whether the light head is camera-ready or not
- Both the extension and spring arms of LCD monitor can rotate up to 330°

### ADVANTAGES

- Optimum lighting reduce visual disturbance and eye fatigue
- Natural colour rendering to work out the best outcome for the patient
- Continuous deep cavity illumination reduces the need to move surgical lights during deep cavity surgery, allowing the surgeon to focus without the need to adjust lighting parameters
- With the continuous illumination column, surgeons can focus on performing the surgery without re-adjusting the light
- The glare-free secondary optics design assist the surgeon to easily focus on performing the surgery
- For surgical procedures requiring more space between the light head and surgical field, the Automatic Intensity Compensation function provides enhanced light intensity
- Can easily be cleaned and disinfected due to smooth and sleek surface design
- Focused ambient illumination provides plenty of light to the anaesthetist to observe the patient, ideal for endoscopy surgery
- Automatic energy saving mode contributes to saving energy and prevents the surgeon from sweating



### FUNCTION

The system can be installed on the ceiling of an operating room or an emergency operating room with air conditioning and room temperature below 25°C (77°F), and is intended for use in the intraoperative illumination of major surgery, emergency surgery, or therapy.



### DIMENSIONS

Technical data available on request.



### CLEANING

Clean with a disinfectant agent, NOT a chlorine-based chemical.



### DEPARTMENT

Operating Room/Emergency Room



Wall-mounted controllers and optional control available, allowing circulating personnel to control the lights and camera to avoid entering the sterile field, reducing the risk of patient infection.

## Trauma Pedestal

CODE: YB-64

Floor-mounted unit constructed from aluminium body with hard-wearing powder-coated finish.

### ADVANTAGES

Services are supplied via trunking underneath the unit. The unit can accommodate a total for four 2 x 4 sockets and four 4 x 4 sockets.

- High voltage: 230 V, electric sockets are supplied but not pre-wired.
- Low voltage: to suit specific requirements – data, telephone, network plugs, etc.
- Medical gas: unit accommodates a total of six gas sockets. Gas sockets can also be arranged as per customer specifications.



### FUNCTION

Used for supply of electrical and various gas services in trauma room.



### DIMENSIONS

H 970 mm x W 342 mm x D 245mm



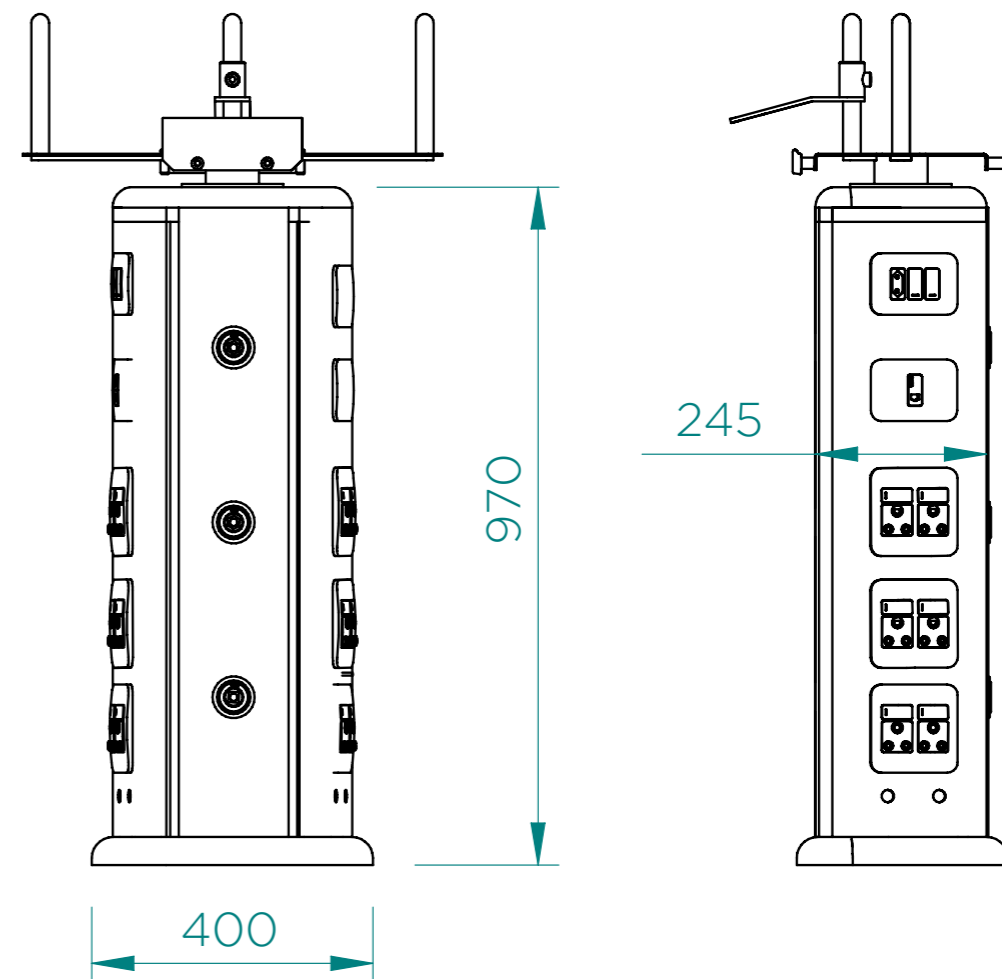
### CLEANING

To be cleaned with a disinfectant agent, NOT a chlorine-based chemical.



### DEPARTMENT

ER



## SPECIFICATIONS

### CONSTRUCTION

Aluminium body

### SURFACE FINISH

Hard-wearing powder-coated finish.

### INSTALLATION POSITION

Floor mounted

### SERVICE ENTRY

Services supplied via floor-based trunking.

### HIGH VOLTAGE

230 Volts

### LOW VOLTAGE

To suit specific requirements including data, telephone, network plugs etc.

### MEDICAL GAS

Unit can accommodate gas sockets as per customer specifications.

### CUSTOMISATION OPTIONS

Layout can be changed to accommodate customer specifications.



## Slophopper

**CODE: 71-00**

A stainless steel (grade 304) drainer sluice with a flexible hose, spray nozzle. A Geberit flushing system is available on request.

### ADVANTAGES

Hygienic depository of human waste to be flushed away with water.



#### FUNCTION

Rinsing bedpans and urinals.



#### DIMENSIONS

H 600mm x W 600mm x D 600mm



#### CLEANING

Clean with a disinfectant agent, NOT a chlorine based chemical.



#### DEPARTMENT

Ward/General



## Utility Pole with Drip Hook

**CODE: IHB-24**

A wall-mount equipment pole, manufactured from stainless steel (grade 304), including three height-adjustable drip hooks.



**FUNCTION**

Mounted next to VSP to facilitate the mounting of various equipment e.g. infusion pump and IV bag.



**DIMENSIONS**

L 1200mm



**CLEANING**

Clean with a disinfectant agent, NOT a chlorine based chemical.



**DEPARTMENT**

General



## Utility Basket Wall Mount

**CODE: IHB-41**

A vacuum formed ABS plastic basket with drain holes.



**FUNCTION**

Storing of pipes and accessories.



**CLEANING**

Clean with a disinfectant agent, NOT a chlorine based chemical.



**DEPARTMENT**

General



## Air Filter Unit

CODE: AFU-01-00-00

The air filtration unit offers required air changes in rooms of various sizes by:

- Adjusting the air flow speed
- Being easily manoeuvrable while keeping noise levels as low as possible

### FEATURES

- Main application is in ICUs to supplement air changes and filtration.
- Designed to cover an area of 32 m<sup>2</sup> at six air changes per hour.
- Air inlet at the bottom, with primary - and HEPA filters in-line.
- Outlet allows three directions (180° cover) at 4 m "throw".
- Adjustable outlets to direct air horizontally.
- Removable ducting for transport and entry through doorway.
- Access points for measuring pressure drop over HEPA filter (measures effectiveness).
- Lockable castors of easy relocation.
- Low noise levels.



### FUNCTION

The air filtration unit is designed to clean air in any environment where multiple people need to work in an enclosed environment.



### CLEANING

To be cleaned with a disinfectant agent, NOT a chlorine-based chemical.



### DEPARTMENT


ICU/Ward/ER



---

**T:** +27 (0)21 851 8484  
**E:** [sales@medicalinnovations.co.za](mailto:sales@medicalinnovations.co.za)  
**W:** [medicalinnovations.co.za](http://medicalinnovations.co.za)

7 Cyclonite St, The Interchange  
Somerset West, 7130  
Western Cape, South Africa



The information and dates supplied in this catalogue, are based on the information believed to be reliable, however are not binding and inaccuracies may occur. Medical Innovations, reserves the right to change specification and design at any time without notice.

© 2017 by South Africa. All rights reserved under the Copyright Act of 1987 with the amendments. Reproduction of any of the content, full or partial, is allowed with prior written approval of South Africa. No reasonable requests will be refused provided the condition as laid out are met.